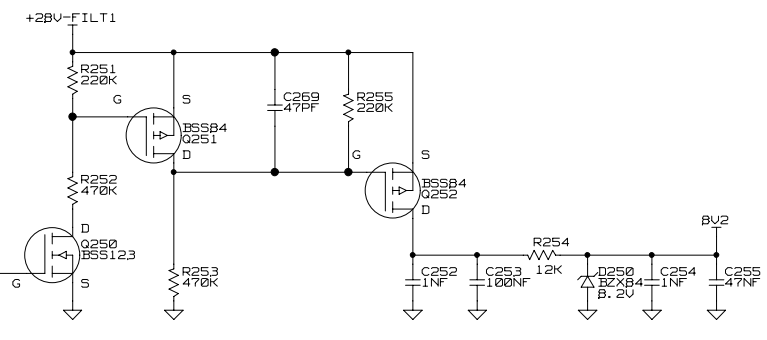
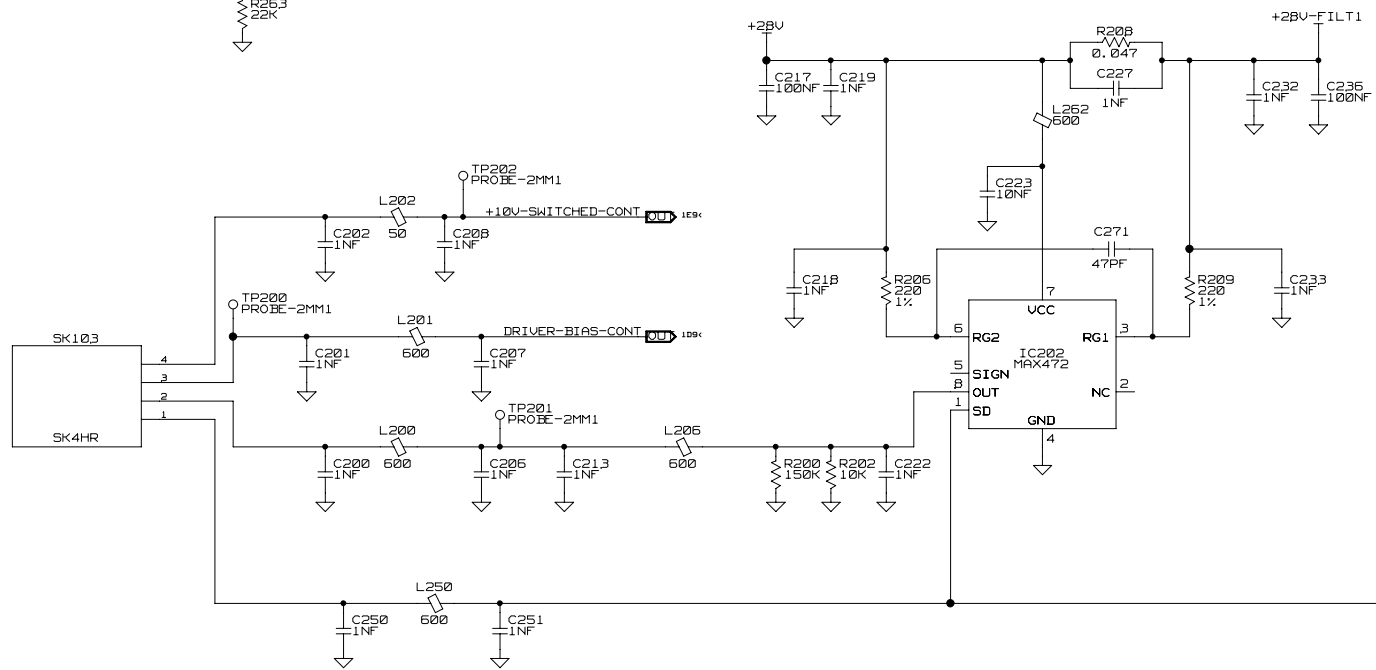
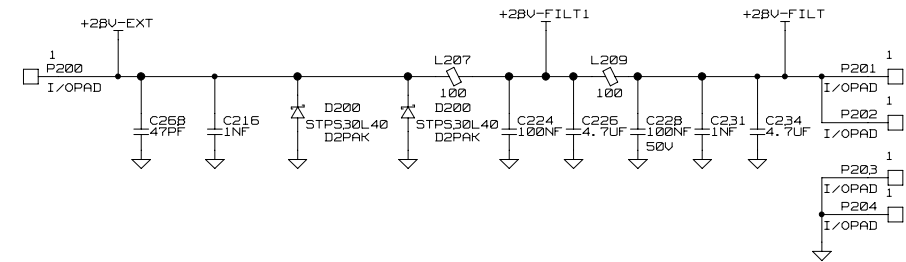
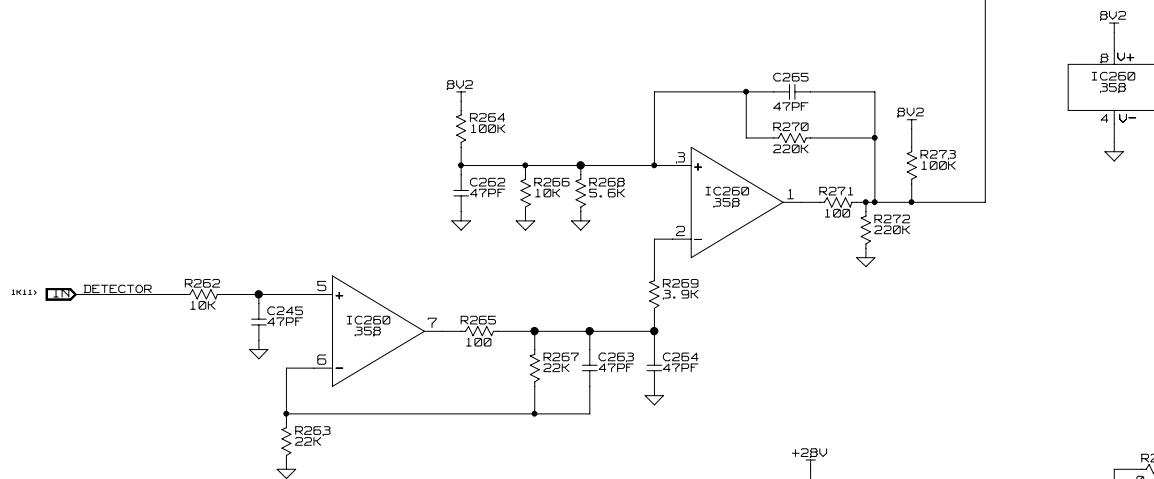
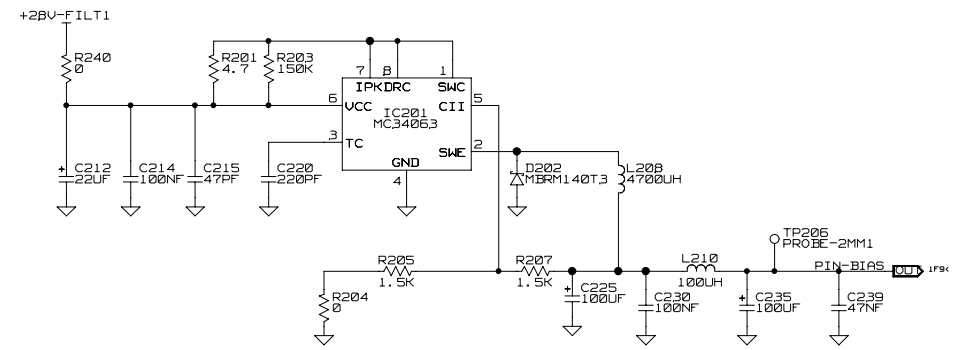
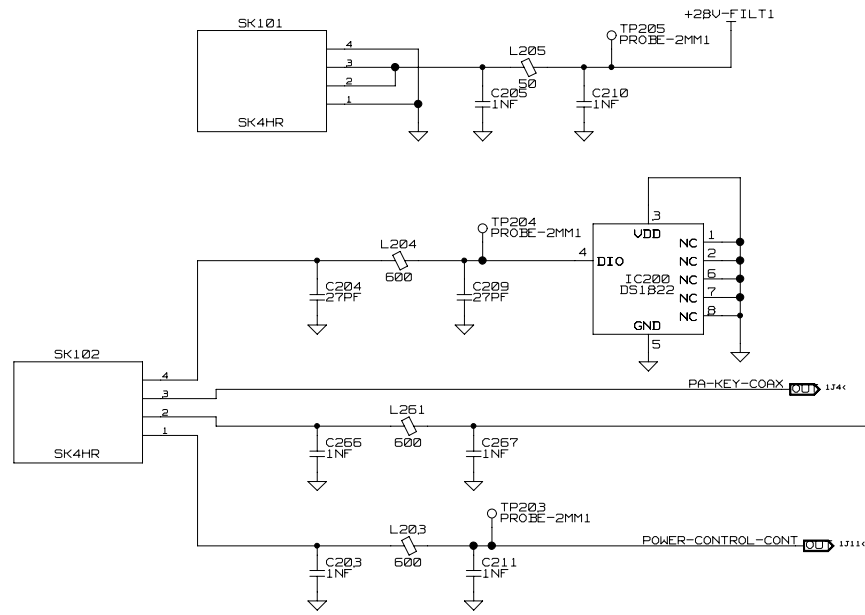


TOP BOARD
BAD MARK

| | | |
|-------------------------------------|------------|-----------------|
| © TAIT ELECTRONICS | | A1 |
| T88100 | | |
| PA 6 WATT 800MHZ/900MHZ | | |
| IPN: | ISSUE: | VARIANT NUMBER: |
| 220-02059-01 | A | 900MHZ_XBAPD0L0 |
| FILE DATE: Thu Jun 23 11:27:11 2005 | | |
| ENGINEER: | FILE NAME: | SHEET NUMBER: |
| QT | 220_02059 | 1 OF 2 |

| | | | | | | |
|---------|---------------------------------|-------|------|------|------|----------|
| 01A | DCO 002B3-004 IPN UPDATE TO 220 | CJK | QT | CJK | QT | 85/08/04 |
| REV/ISS | AMENDMENTS | DRAWN | CHKD | D.O. | APVD | DATE |



© TAIT ELECTRONICS | A1
 TB8100
 PA 6 WATT 800MHZ/900MHZ
 IPN: 220-02059-01 | ISSUE: A | VARIANT NUMBER: 900MHZ_XBAPD0L0
 FILE DATE: Thu Jun 23 11:27:13 2005
 ENGINEER: OT | FILE NAME: 220_02059 | SHEET NUMBER: 2 OF 2

| REV/ISS | AMENDMENTS | DRAWN | CHKD | D. O. | APVD | DATE |
|---------|------------|-------|------|-------|------|------|
| 1 | | | | | | |